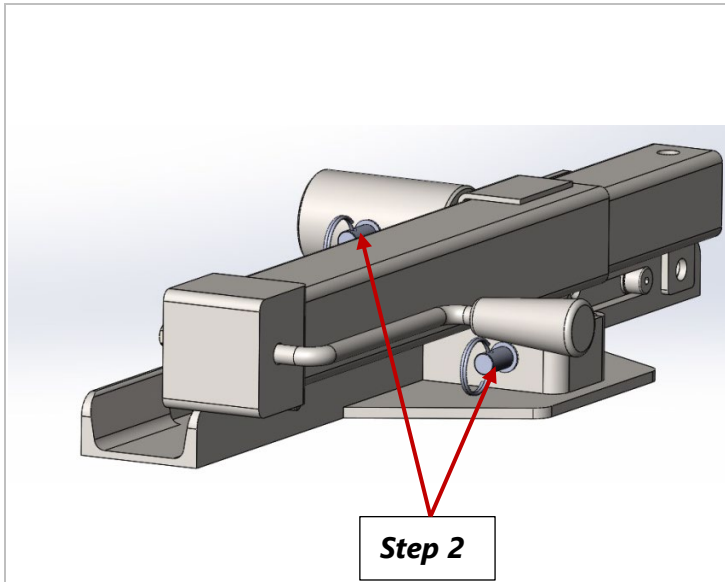
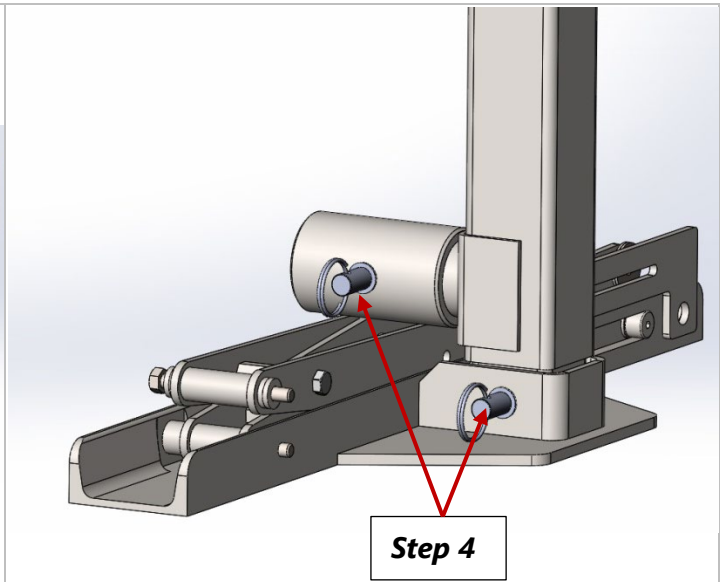




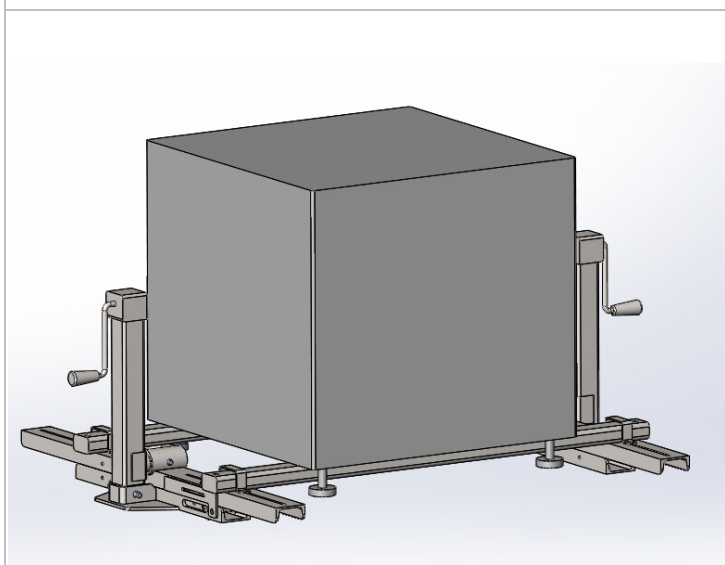
Lifting Mechanism User Guide



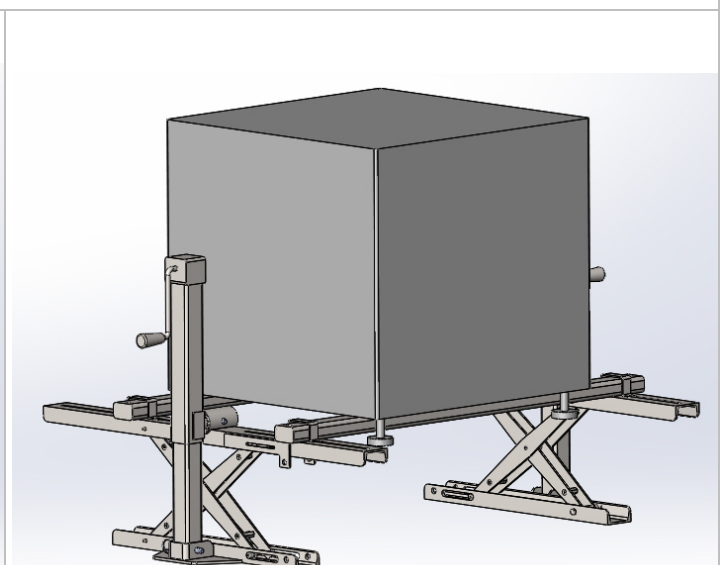
Step 1: Remove lift assemblies from box.
Step 2: Remove quick release pins from base and axle.



Step 3: Rotate lift jack with handle to a vertical position.
Step 4: Reinsert pins in the base and along axle.



Step 5: Place a lifting jack assembly on either side of the SEM (Handles Face outboard).
Step 6: Place the lift beam on top bar of the lift assembly inside the beam retainers.
Step 7: Tighten beam retainers.



Step 8: Slowly lift SEM by turning handles. **NOTE:** Handles must be turned the same amount to prevent tilt. If one person is installing, each side should be turned a ¼ turn then the other side turned ¼ turn and so on.